

## ZHSSFH-243 Series

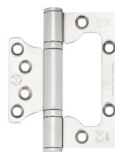
### Grade 11 Flush / Interleaf Hinge



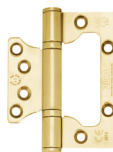
ZHSSFH-243S



ZHSSFH-243S



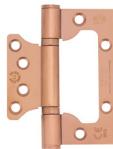
ZHSSFH-243S-P



ZHSSFH-243S-PVD



ZHSSFH-243S-PVDSB



ZHSSFH-243S-PVDBZ



ZHSSFH-243S-MB



ZHSSFH-243S-PCW

## TECHNICAL SPECIFICATION

### PRODUCT FEATURES

- **Dimensions:** 100 x 79 x 3mm
- **Material:** Stainless Steel
- Requires no morticing into door or frame
- No intumescent needed for use on fire rated doors
- **Performance Testing:** Successfully tested in accordance with the requirements of BS EN1935: 2002, Grade 11

3	7	4	1*	1	4	0	11
---	---	---	----	---	---	---	----

### FIRE TESTING

- Successfully fire tested in accordance with the requirements of BS EN 1634-1, suitable for use on 30-minute timber fire doors

### CERTIFICATION

- UKCA Marked (Certificate AC7989)
- CE Marked (Certificate AC7991)



1121-CPR-UK-AD7989

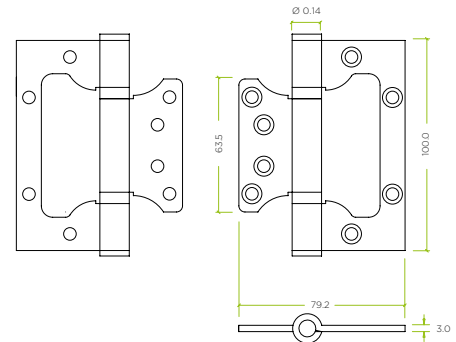


2812-CPR-AD7991

### CORNER OPTIONS

- Square

### TECHNICAL



CODE	DESCRIPTION	FINISH
ZHSSFH-243S	Flush / Interleaf Hinge Pair - CE/UKCA - Grade 11	Satin Stainless
ZHSSFH-243S-P	Flush / Interleaf Hinge Pair - CE/UKCA - Grade 11	Polished Stainless
ZHSSFH-243S-PVD	Flush / Interleaf Hinge Pair - CE/UKCA - Grade 11	Polished Brass PVD
ZHSSFH-243S-MB	Flush / Interleaf Hinge Pair - CE/UKCA - Grade 11	Matt Black
ZHSSFH-243S-PVDSB	Flush / Interleaf Hinge Pair - CE/UKCA - Grade 11	Brushed Brass PVD
ZHSSFH-243S-PVDBZ	Flush / Interleaf Hinge Pair - CE/UKCA - Grade 11	Brushed Bronze PVD
ZHSSFH-243S-PCW	Flush / Interleaf Hinge Pair - CE/UKCA - Grade 11	Powder Coated White



#### For more information please contact us today:

ERA Home Security T/A Zoo Hardware,  
Unit B, Dukes Drive, Kingmoor Park North,  
Carlisle, Cumbria CA6 4SH

**Call: 01228 672900**

**Fax: 01228 672928**

**Email: sales@zoo-hardware.co.uk**

**Web: www.zoohardware.co.uk**



FM 668401

EMS 668402