

# TECHNICAL SPECIFICATION SHEET

## ZPS007iSS-HEX



Requires ZCS000-HEX-KEY  
in the event of emergency  
(sold separately)

In an emergency, the key is also equipped with a 5mm drive to be able to operate a bathroom lock follower.

SPECIFICATION	SUITABILITY	TECHNICAL
---------------	-------------	-----------

- Rose diameter: 50mm
- Rose projection: 8mm
- Spindle size: 5mm
- Accessible RTD lever turn
- SS 304 Grade material
- Screw on stainless steel outer rose
- Also supplied with 20mm wood screws
- Fire tested suitable for 30 & 60 min timber doors
- Requires hex key ZCS000-HEX-KEY (sold separately)

Only recommended for use with ZOO DIN Locks.  
If other locks are required please check for compatibility.

Accessories available:  
ZFP01S - Additional fixing pack – complete with bolt fixings  
SP25 - 5mm x 65mm spindle

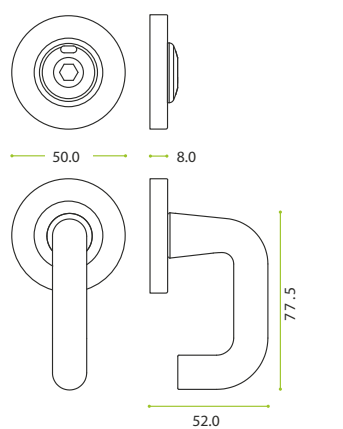
**SUITABILITY**



**STANDARDS**



**TECHNICAL**



**DfE Technical Annex 2D**

The Hex release version is available for use in applications that are relevant to the Department for Education Technical Annex 2D: Internal Elements and Finishes. Part 5.2.2.

Part C. refers to Bathroom Locks and states: Bathroom Lock - Lock that can be locked from the inside by turn or lever and can be released from outside by hexagon or star key (not coin-slot).

CODE	DESCRIPTION	FINISH
ZPS007iSS-HEX	Accessible RTD lever turn and hex release with indicator	Satin Stainless



**For more information please contact us today:**  
ERA Home Security T/A Zoo Hardware,  
Unit B, Dukes Drive, Kingmoor Park North,  
Carlisle, Cumbria CA6 4SH

**Call: 01228 672900**  
**Fax: 01228 672928**  
**Email: sales@zoo-hardware.co.uk**  
**Web: www.zoohardware.co.uk**

