

TECHNICAL SPECIFICATION SHEET

ZPS007iSS-HEX



In an emergency, the key is also equipped with a 5mm drive to be able to operate a bathroom lock follower.

SPECIFICATION

- Rose diameter: 50mm
- Rose projection: 8mm
- Spindle size: 5mm
- Accessible RTD lever turn
- SS 304 Grade material
- Screw on stainless steel outer rose
- Also supplied with 20mm wood screws
- Fire tested suitable for 30 & 60 min timber doors
- Requires hex key ZCS000-HEX-KEY (sold seperately)

Accessories available:

- ZFP01S - Additional fixing pack – complete with bolt fixings
- SP25 - 5mm x 65mm spindle

DfE Technical Annex 2D
The Hex release version is available for use in applications that are relevant to the Department for Education Technical Annex 2D: Internal Elements and Finishes. Part 5.2.2.
Part C. refers to Bathroom Locks and states: Bathroom Lock - Lock that can be locked from the inside by turn or lever and can be released from outside by hexagon or star key (not coin-slot).

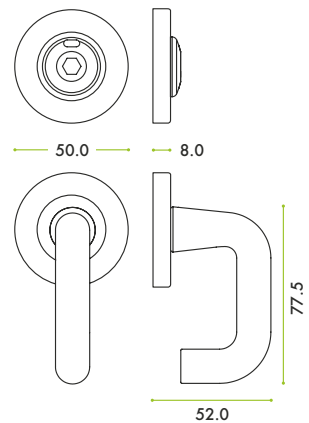
SUITABILITY



STANDARDS



TECHNICAL



CODE	DESCRIPTION	FINISH
ZPS007iSS-HEX	Accessible RTD lever turn and hex release with indicator	Satin Stainless
	<p>For more information please contact us today: ERA Home Security T/A Zoo Hardware, Unit B, Dukes Drive, Kingmoor Park North, Carlisle, Cumbria CA6 4SH</p> <p>Call: 01228 672900 Fax: 01228 672928 Email: sales@zoo-hardware.co.uk Web: www.zoohardware.co.uk</p>	<p>FM 668401 EMS 668402</p>