

# VDC-EMS06 Series

## Electro-Magnetic Overhead Door Closer



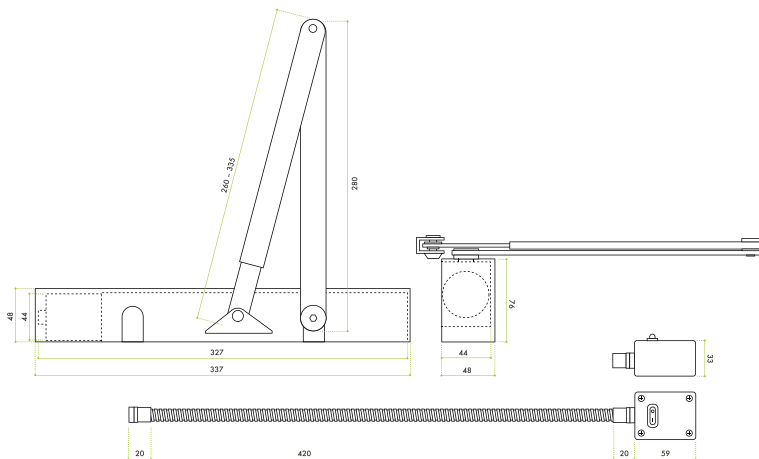
VDC-EMS06-HO/SF-SQ-SS

### Hold Open Mode

Linked to the buildings Fire Detection system, Hold Open Mode can be used to safely and legally hold open doors throughout a building to aid flow of traffic and provide barrier free access, but upon detection of a fire, releases the door automatically allowing it to close and prevent the spread of flames and smoke.

### Swing Free Mode

The Swing Free Electromagnetic Closer allows the door to operate as if no closer was fitted by providing virtually no opening resistance. Linked to the buildings Fire Detection system, the door can be positioned at any angle by the user but shuts automatically upon first detection of a fire - preventing the spread of flames and smoke.



### PRODUCT FEATURES

- **Power size:** Fixed power size 6
- **Body material:** Aluminium
- **Arm set type / material:** Scissor / Steel
- **Functions:** Electro hold open or swing free, closing, latching speed
- **Maximum door weight:** 120kgs (door mount pull), 80kgs (door mount push)
- **Maximum door width:** 1400mm (door mount pull), 1100mm (door mount push)
- **Required power supply:** 24Vdc
- **Performance Testing:** Successfully tested in accordance with the requirements of BS EN 1155: 1997

**Classification:** Door mount pull side (Fig 1)

|   |   |   |   |   |   |
|---|---|---|---|---|---|
| 3 | 8 | 6 | 1 | 1 | 3 |
|---|---|---|---|---|---|

**Classification:** Door mount push side (Fig 6)

|   |   |   |   |   |   |
|---|---|---|---|---|---|
| 3 | 8 | 4 | 1 | 1 | 3 |
|---|---|---|---|---|---|

### FIRE TESTING

- Successfully fire tested in accordance with the requirements of BS EN1634-1, suitable for use on 30, 60, 90 and 120 minute timber fire doors

### CERTIFICATION

- CE marked (Certificate AE7864)
- UKCA marked (Certificate AE7866)



2812-CPR-AD7864



1121-CPR-UK-AD7866

### GUARANTEE

- 2-year guarantee

### COVER OPTIONS

- Square

### FINISHES

- Silver (SE)
- Satin Stainless Steel (SSS)

### SWITCH BOX FINISH

- Silver as standard
- Black optional

\* Other finishes available on request

| CODE  | DESCRIPTION  | FINISH  |
|---|--|---|
| VDC-EMS06-HO/SF-SQ-SE   | E-mag door closer, hold open/swing free, c/w matching arm and square cover, fixed power size 6   | Silver (SE)   |
| VDC-EMS06-HO/SF-SQ-SSS  | E-mag door closer, hold open/swing free, c/w matching arm and square cover, fixed power size 6   | Satin Stainless Steel (SSS)   |
|  | <p><b>For more information please contact us today:</b><br/> ERA Home Security T/A Zoo Hardware,<br/> Unit B, Dukes Drive, Kingmoor Park North,<br/> Carlisle, Cumbria CA6 4SH</p> <p><b>Call: 01228 672900</b><br/> <b>Fax: 01228 672928</b><br/> <b>Email: sales@zoo-hardware.co.uk</b><br/> <b>Web: www.zoohardware.co.uk</b></p> |  <p>FM 668401 EMS 668402</p> |