

ZDC0024A Series

Overhead Door Closer



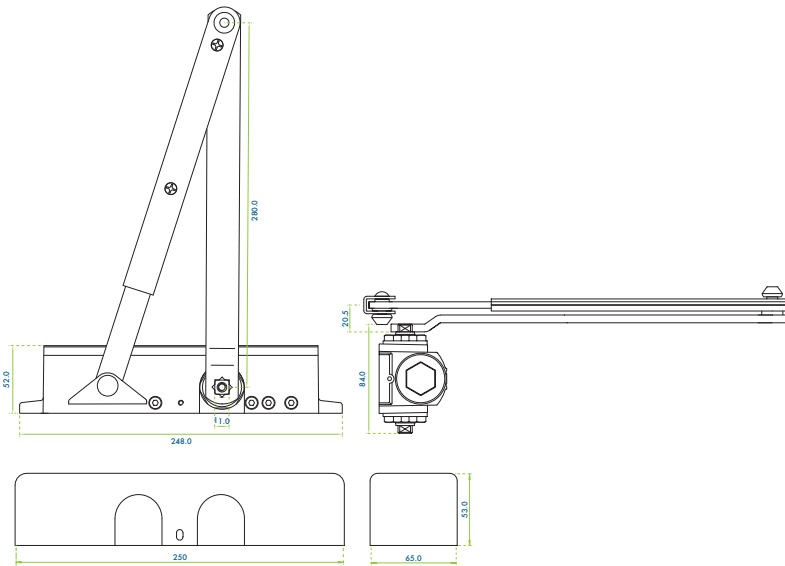
ZDC0024A-BLK



ZDC0024A-SN



ZDC0024A-SE



TECHNICAL SPECIFICATION

PRODUCT FEATURES

- **Power size:** Power adjustable 2-4, by spring
 - **Body material:** Aluminium
 - **Arm set type / material:** Scissor / Steel
 - **Functions:** Tested functions - Closing, latching speed and backcheck for installation on:
 - Door mount pull (Fig 1)
 - Door mount push (Fig 6)
 - Frame mount push (Fig 61) installed with no head projection only
- Note: If Fig 61 installation includes head projection, backcheck is not suitable for use on fire resistant doors.**

- **Non-tested functions:**
 - Delayed action (All fitting positions)
 - Backcheck when installed on frame mount push (Fig 61) with head projection

- **Maximum door weight:** 80kgs (door mount pull, frame mount push) 60kgs (door mount push)
- **Maximum door width:** 1100mm (door mount pull, frame mount push) 950mm (door mount push)

- **Performance Testing:** Successfully tested in accordance with the requirements of BS EN1154: 1997

Classification: Door mount pull side (Fig 1).

4	8	$\frac{4}{2}$	1	1	3
---	---	---------------	---	---	---

Classification: Door mount push side (Fig 6)

3	8	3	1	1	3
---	---	---	---	---	---

Classification: Frame mount push side, up to 50mm head projection (Fig 61)

3	8	$\frac{4}{2}$	1	1	3
---	---	---------------	---	---	---

- **Successfully tested in accordance with the opening force recommendations and requirements contained within BS 8300 / Approved Document M for door closing devices and is suitable for the following minimum door widths:**

- Door mount pull (Fig 1) = **857mm**
- Door mount push (Fig 6) = **689mm**
- Frame mount push (Fig 61) - No head projection = **917mm**
- Frame mount push (Fig 61) - 50mm head projection = **910mm**

FIRE TESTING

- Successfully fire tested in accordance with the requirements of BS EN1634-1, suitable for use on 30, 60, 90 and 120 minute timber fire doors

CERTIFICATION

- UKCA marked (Certificate AD7992)
- CE marked (Certificate AD7994)
- CERTIFIRE approved (Certificate CF6103)



1121-CPR-UK-AD7792



2812-CPR-AD7994



APPROVED
CF 6103

COVER OPTIONS

- Semi-radiused

CODE	DESCRIPTION	FINISH
ZDC0024A-SE	Overhead door closer, power adjustable 2-4, c/w semi-radiused cover	Silver (SE)
ZDC0024A-SN	Overhead door closer, power adjustable 2-4, c/w semi-radiused cover	Satin Nickel
ZDC0024A-PN	Overhead door closer, power adjustable 2-4, c/w semi-radiused cover	Polished Nickel
ZDC0024A-PB	Overhead door closer, power adjustable 2-4, c/w semi-radiused cover	Polished Brass
ZDC0024A-BLK	Overhead door closer, power adjustable 2-4, c/w semi-radiused cover	Black
ZDC0024A-SSS	Overhead door closer, power adjustable 2-4, c/w semi-radiused cover	Satin Stainless
ZDC0024A-SB	Overhead door closer, power adjustable 2-4, c/w semi-radiused cover	Satin Brass



ARCHITECTURAL HARDWARE

For more information please contact us today:

ERA Home Security T/A Zoo Hardware,
Unit B, Dukes Drive, Kingmoor Park North,
Carlisle, Cumbria CA6 4SH

Call: 01228 672900

Fax: 01228 672928

Email: sales@zoo-hardware.co.uk

Web: www.zoohardware.co.uk



FM 668401

EMS 668402