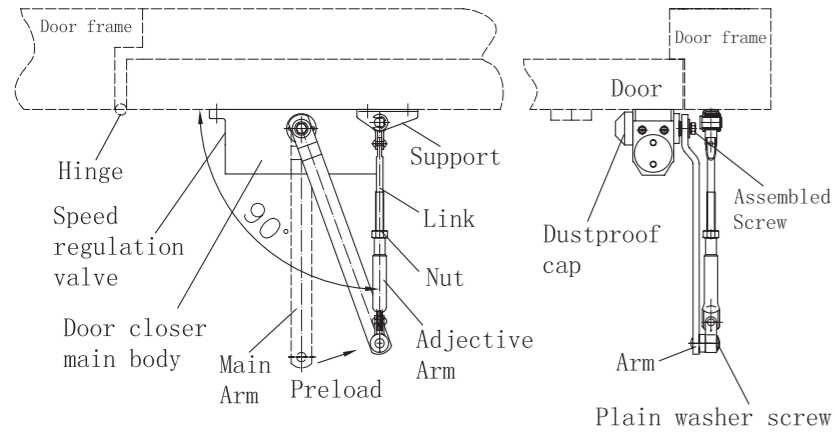


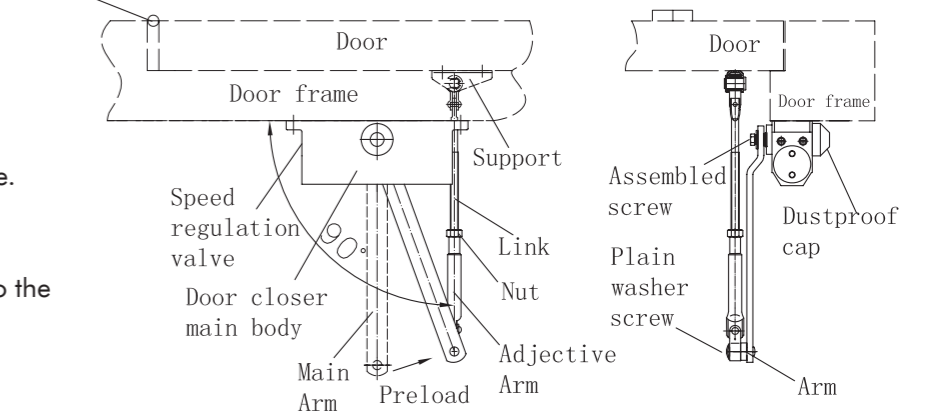
Standard installation



Vertical installation:

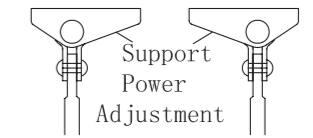
1. Cut down the template according to your requirements and stick the template on the door and frame.
2. According to the position of the installation template, drill holes to install.
3. Take off Main Arm and Adjective Arm. Put the arm and the door closer main body in cross shape. Install the arm on the square tenon of gearing bearing. Then fasten by the assembled screw.
4. According to the drilled holes, install the door closer body on the frame or door.
5. Preload the arm to an angle and then install it together with the Adjective Arm which is vertical to the door. (Adjust the length of the Arm to install the Arm). Fasten the screws on the arm.
6. Put dustproof cap on the other end of the gear shaft.

Reverse installation



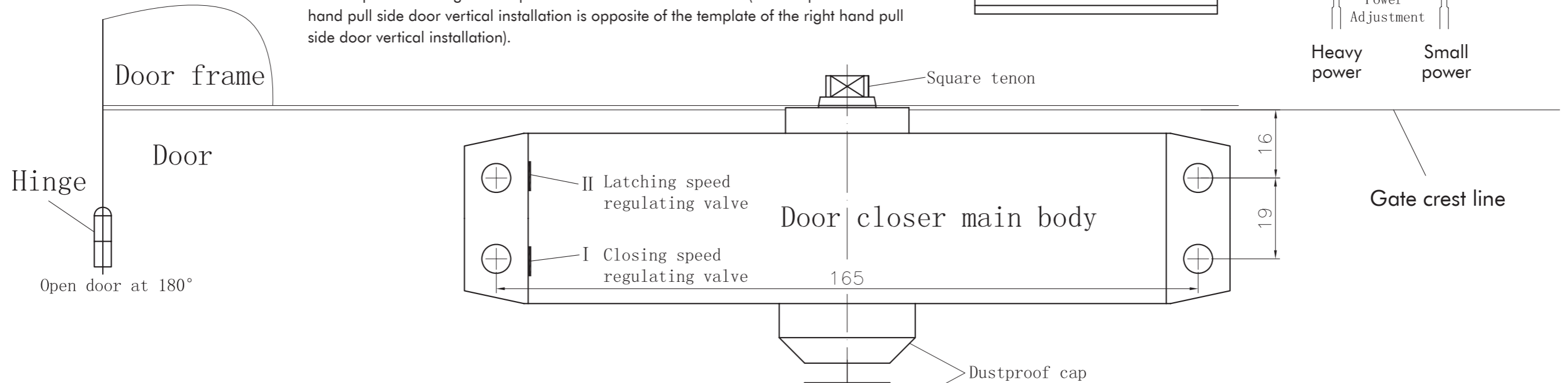
Standard installation:

The template of the right hand pull side door vertical installation (The template of the left hand pull side door vertical installation is opposite of the template of the right hand pull side door vertical installation).



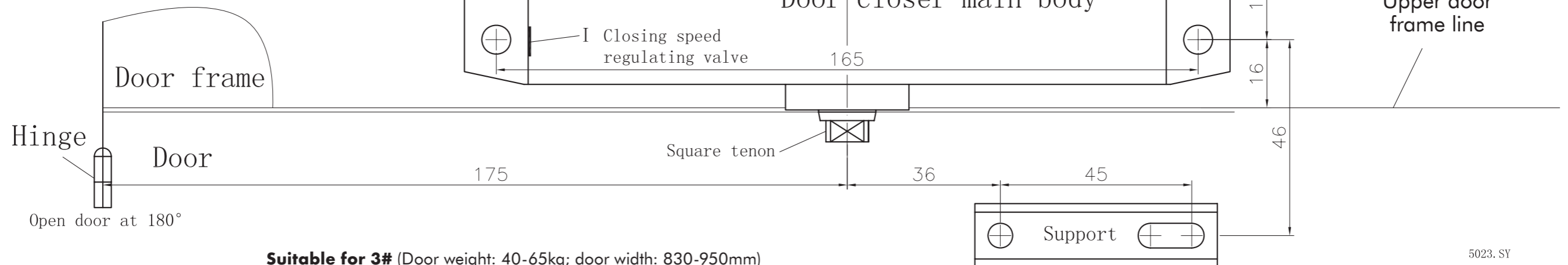
Heavy power

Small power



Reverse installation:

The template of the left hand push side door vertical installation (The template of the right hand push side door vertical installation is opposite of the template of the left hand push side door vertical installation).



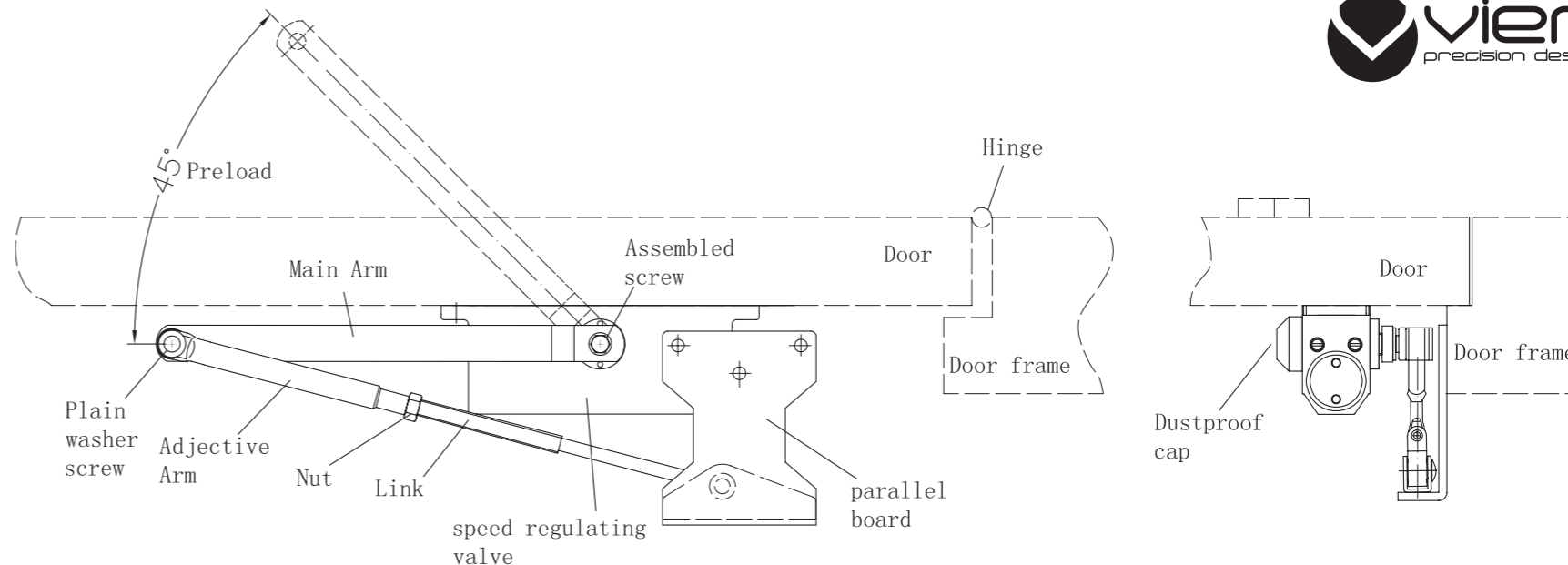
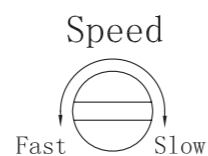
Suitable for 3# (Door weight: 40-65kg; door width: 830-950mm)

II. The steps of parallel installation:

1. According to the mark, fold the parallel installation template to 90 degree. Stick it on the door and frame.
2. According to the position of the installation template, drill screw holes.
3. According to the drilled holes, install the door closer main body and parallel board on the door and door frame. Then fasten.
4. Take off assemble screw; pre-load the arm to 45 degree, then fit the arm on the pinion. Fit the arm shoe on the PA board.
5. Adjust the length of the adjective arm to install the arm, connect the main arm and the adjective arm, make it parallel with door closer main body. Fasten the assembled screw, then fasten the nut of the link.
6. Put the dustproof cap on the other end of the pinion

III. Adjust the speed of the door closer:

1. I is closing speed regulation valve
II. is latching speed regulation valve
2. Counter-clockwise turning can make the speed faster.
On the contrary, clockwise turning will make the speed slower.



IV. Notices:

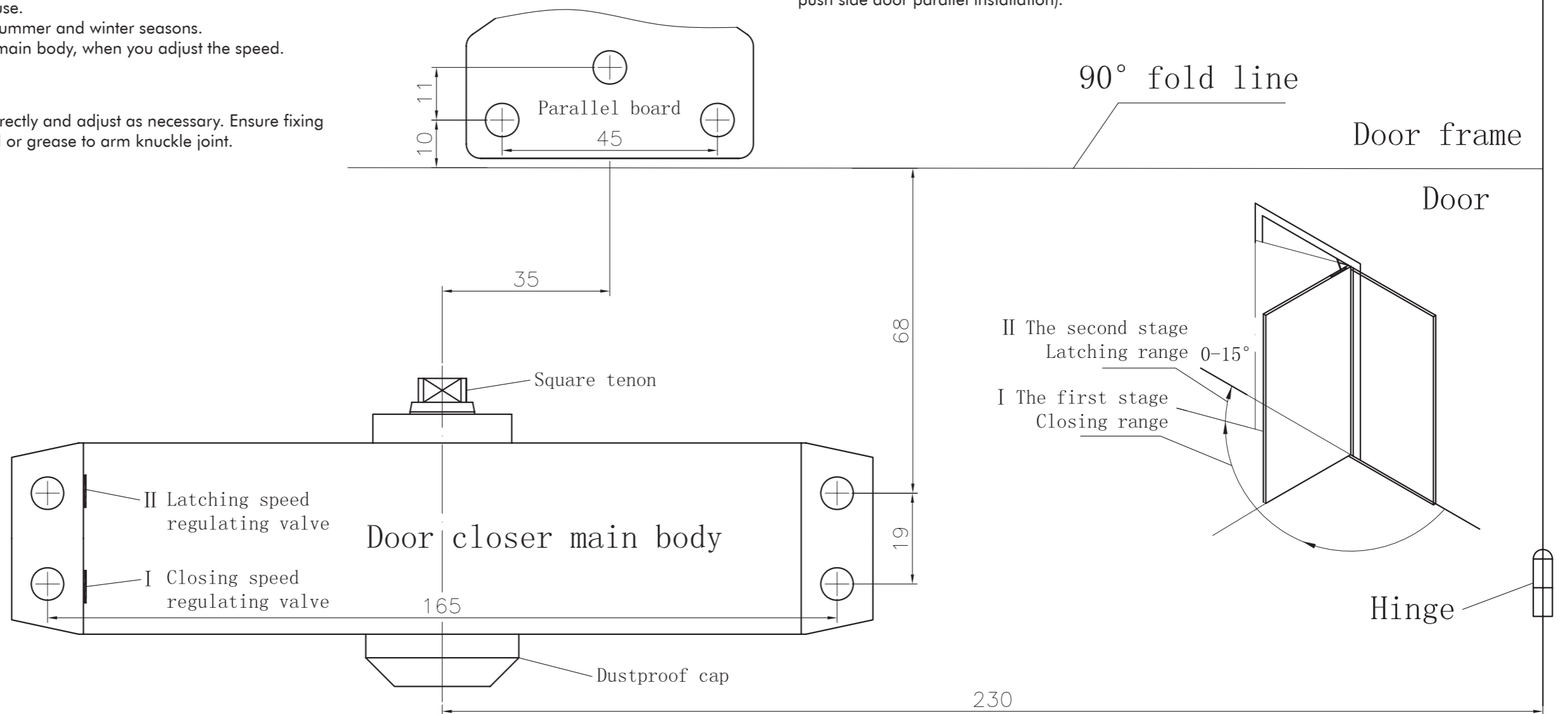
1. Please don't rotate the direction of the square tenon of the gear before install the door closer.
2. Please don't hit the square tenon of the gear hard when you install the arm.
3. Door closer can auto-close the door by themselves extra efforts to close the door are not permitted.
4. Fasten all the screws after half a month of use.
5. Pay attention to the speed reulation in the summer and winter seasons.
6. Please don't screw the regulating valve off main body, when you adjust the speed.

Maintenance:

Check that the door closer closes the door correctly and adjust as necessary. Ensure fixing screws are tight and periodically apply light oil or grease to arm knuckle joint.

Parallel installation:

The template of the right hand push side door parallel installation (The template of the left hand push side door parallel installation is opposite of the template of the right hand push side door parallel installation).



BS EN 1154:1997 / A1:2002

Projecting arm Figure 1 and parallel arm Figure 6:

4	8	3	1	1	3
---	---	---	---	---	---

Projecting arm Figure 61:

3	8	3	1	1	3
---	---	---	---	---	---



Manufactured by:
ZOO Hardware Ltd
Unit B, Dukes Drive
Kingmoor Park North
Carlisle, Cumbria
CA6 4SH

T : + 44 (0) 1228 672 900
F : + 44 (0) 1228 672 928
E : sales@zoo-hardware.co.uk
W : www.zoohardware.co.uk