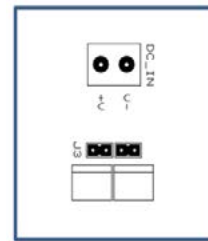
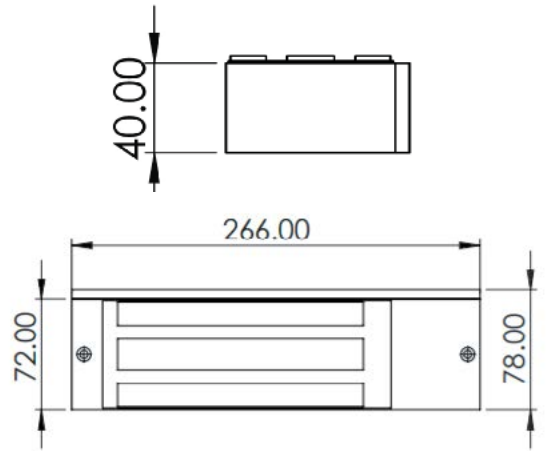


STANDARD MAGNETIC LOCK (1200LB)

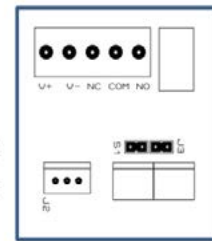
FIRE TESTED to BSEN1634-1:2014 & BS476:Part22:1987 (30, 60, 90 & 120 min timber door-sets)



ML1200 / ML1200-M



ML1200



ML1200-M

Fire tested range of maglocks and brackets from a market leader in access control.

SPECIFICATION	FEATURES	OTHER PRODUCTS
---------------	----------	----------------

- ML1200 / ML1200-M**
- Aluminium housing
 - 12/24 VDC @600/300mA
 - 545kg (1200lb) holding force
 - Built in surge protection
 - Surface mount
 - Fail safe operation (power to lock)
 - +/- 15% voltage tolerance
 - 10° to +50° operating temperature
 - Push off release pin on armature

- ML1200-M only**
- Monitored
 - Voltage free relay contacts

- ML1200 / ML1200-M**
- Fire rated (30, 60, 80 & 120 min timber door set)
 - Standard magnet
 - Clean and compact design
 - No residual magnetism
 - Power LED indication on ML1200 (Red LED only)
 - Status LED indication on ML1200-M (Red to Green)

Suitable Brackets/Housings:

- BK1200ZL (ZL bracket)
- BK1200-F-L/AB (Architectural F/ZL)

- BK1200L (L Bracket)
- ADJ1200-L (Highly adjustable L)
- AH1200 (Required for Fire Doors)

INWARD
OUTWARD

EBGBWC02/DR



EXTR02



ML600



DU-GB/PTE



DIMENSIONS

- ML1200 / ML1200-M**
- 266x72x40 (mm) Maglock (LxWxD)
 - 185x60x15 (mm) Armature (LxWxD)
 - 4.27kg Boxed
 - 2.79kg Unboxed

CONTENTS

- ML1200 / ML1200-M**
- Standard magnet
 - Armature plate
 - 1200GB fixing kit
 - Instructions
 - Armature fixing template

