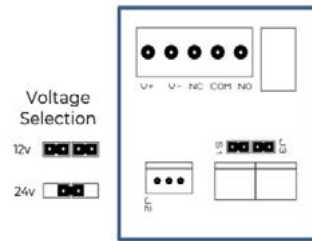
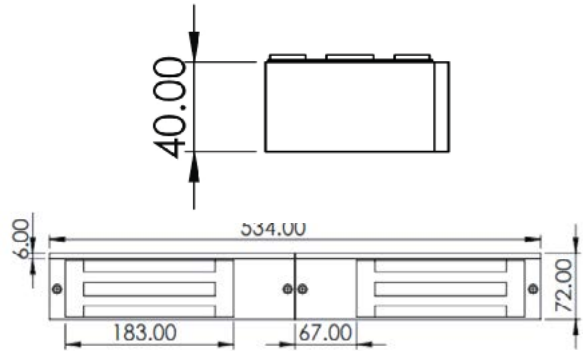


DOUBLE STANDARD MAGNETIC LOCK (1200LB)

FIRE TESTED to
BSEN1634-1:2014 & BS476:Part22:1987
(30, 60, 90 & 120 min timber door-sets)



ML1200-D-M



ML1200-D-M

Fire tested range of maglocks and brackets from a market leader in access control.

SPECIFICATION	FEATURES	OTHER PRODUCTS
---------------	----------	----------------

- ML1200-D-M**
- Aluminium housing
 - 12/24 VDC @600/300mA x2
 - 545kg (1200lb) holding force x2
 - Built in surge protection
 - Surface mount
 - Fail safe operation (power to lock)
 - +/- 15% voltage tolerance
 - 10° to +50° operating temperature
 - Push off release pin on armature
 - Monitored
 - Voltage free relay contacts

- ML1200-D-M**
- Fire rated (30, 60, 80 & 120 min timber door set)
 - Standard magnet
 - Clean and compact design
 - No residual magnetism
 - Status LED indication on ML1200-D-M (Red to Green)

- Suitable Brackets/Housings:
- BK1200ZL (ZL bracket) x2
 - BK1200L (L bracket) x2
 - ADJ1200-L (Highly adjustable L) x2
 - AH1200 (Armature housing) x2

EBGBWC02/DR



EXTR02



ML600



DU-GB/PTE



DIMENSIONS

- ML1200-D-M**
- 530x73x40 (mm)
 - 185x60x15 (mm) Armature x2
 - 8.54kg Boxed
 - 5.58kg Unboxed

CONTENTS

- ML1200-D-M**
- Standard double magnet
 - Armature plate x2
 - 1200GB fixing kit x2
 - Instructions
 - Armature fixing template

