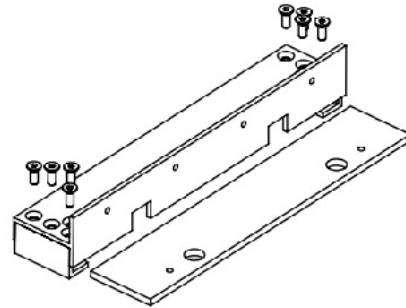


ADJUSTABLE L BRACKET

FIRE TESTED to
BSEN1634-1:2014 & BS476:Part22:1987
(30, 60, 90 & 120 min timber door-sets)



ADJ-600L
ADJ-1200L



Fire tested range of maglocks and brackets
from a market leader in access control.

SPECIFICATION	FEATURES	OTHER PRODUCTS
---------------	----------	----------------

ADJ-600L/ADJ-1200L

- Available for ML600 and ML1200 range
- Allows infinite adjustment and positioning
- Very easy to fit and drastically reduces the installation time
- Simple to adjust magnet position
- No fixings required into the underside of transom
- Incorporates a cavity and cut out to make cabling easier
- Comes completely assembled

ADJ-600L/ADJ-1200L

- Bracket to fix the transom
- 2 end guide channels for the plate to slide between
- Flat bar sliding plate to fix the magnet to

AB600CL



KPX1000



ML600



DIMENSIONS

ADJ-600L

- 295x60x32/57 mm
- 85g (Boxed) • 70g (Unboxed)

ADJ-1200L

- 318x60x32/57 mm
- 90g (Boxed) • 75g (Unboxed)

CONTENTS

ADJ-600L/ADJ-1200L

- Bracket
- Extension Plate
- Fixing Kit



DU-GB/PTE

