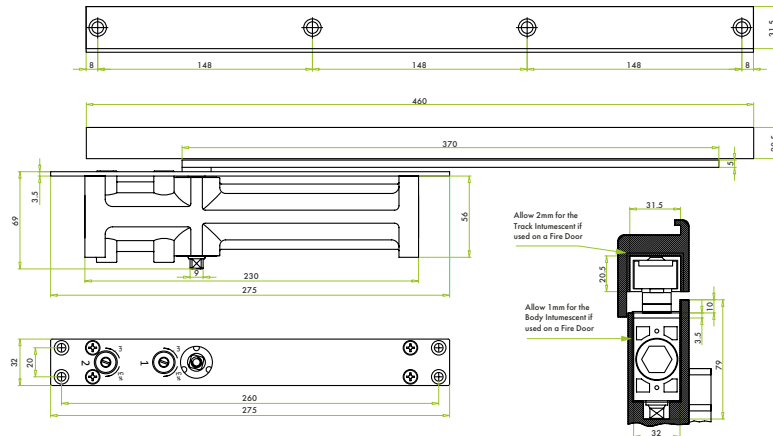


ZDC003C Series

Concealed Overhead Door Closer



TECHNICAL SPECIFICATION

PRODUCT FEATURES

- **Power size:** Fixed power, Size 3
- **Body material:** Aluminium
- **Arm set type / material:** Slide track / Aluminium; Connecting arm / Steel
- **Functions:** Closing speed, Latching speed
- **Maximum door weight:** 60kgs
- **Maximum door width:** 950mm
- **Performance Testing:** Successfully tested in accordance with the requirements of BS EN1154: 1997

Classification: Door mount pull side only

3	8	3	1	1	3
---	---	---	---	---	---

FIRE TESTING

- Successfully fire tested in accordance with the requirements of BS EN1634-1, suitable for use on 30-minute Timber fire doors

CERTIFICATION

- UKCA marked (Certificate AD7996)
- CE marked (Certificate AD7995)
- CERTIFIRE approved (Certificate CF6158)



OPTIONS

- Hold open kit (**NOT TO BE USED ON FIRE RATED DOORS**)

INTUMESCENT

- (ZDC003-INT/KIT) 1mm / 2mm graphite kit for 30-minute timber fire rated doors

FINISHES

- Silver (SE)
- *Other finishes available on request

CODE	DESCRIPTION	FINISH
ZDC003C-SE	Concealed Overhead Door Closer, Fixed Power Size 3, Matching Finish Track and Connecting Arm, Silver Finish	Silver
ZDC003C-INT/KIT	Intumescent Kit T/S ZDC003C Concealed Overhead Door Closer, 1mm/2mm Thickness	Black
ZDC003C-H/O-KIT	Hold Open Kit T/S ZDC003C Concealed Overhead Door Closer	N/A
ZDC003C-GUIDE	Spare Track Guide T/S ZDC003C Concealed Overhead Door Closer	White
ZDC003C-FP	Spare Fixing Pack T/S ZDC003C Concealed Overhead Door Closer	N/A
	<p>For more information please contact us today: ERA Home Security T/A Zoo Hardware, Unit B, Dukes Drive, Kingmoor Park North, Carlisle, Cumbria CA6 4SH</p> <p>Call: 01228 672900 Fax: 01228 672928 Email: sales@zoo-hardware.co.uk Web: www.zoohardware.co.uk</p>	 FM 668401 EMS 668402