

## ZFB Series

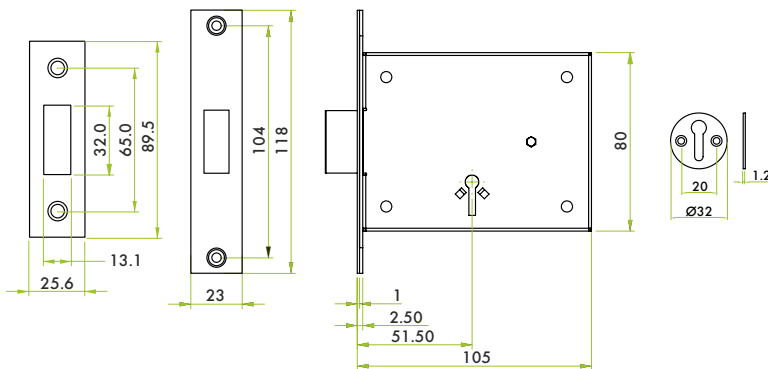
### Fire Brigade Lock (ZFB01)



ZFBAP01-BZ ZFBAP01-PVDSB ZFBAP01-PSS ZFBAP01-PVDBLK ZFBAP01-PVDPB



ZFB01-S-SSS\*



## TECHNICAL SPECIFICATION

### PRODUCT FEATURES

- 51.5mm backset
- Double forend (Steel inner, Stainless Steel outer forend)
- Supplied with lever key profile escutcheons
- **Performance Testing:** Successfully tested in accordance with the requirements of BS EN12209: 2003

### Classification:

3	H	8	1*	0	G	-	K	D	0	0
---	---	---	----	---	---	---	---	---	---	---

### FIRE TESTING

- Successfully fire tested in accordance with the requirements of BS EN1634-1, suitable for use on 30 and 60 minute timber fire doors

### CERTIFICATION

- UKCA marked (Certificate AG8076)
- CE marked (Certificate AG8079)
- CERTIFIRE approved (Certificate CF877)



### FOREND OPTIONS

- Square
- Radius

### FINISHES

- Satin Stainless Steel (SSS)
- Polished Stainless Steel (PSS)
- Polished Brass (PVDPB)
- PVD Black (PVDBLK)
- PVD Satin Brass (PVDSB)
- Bronze (BZ)

\*The ZFB01-S-SSS / R-SSS comes with SSS Forend, Strike, and Escutcheons

CODE	DESCRIPTION	FINISH
ZFB01-S-SSS / R-SSS*	Mortice London Fire Brigade Lock (Key Profile 01), Square or Radius Forend and Strike, c/w Escutcheons	Satin Stainless Steel
ZFB01-CO	Mortice London Fire Brigade Lock (Key Profile 01) Case Only, CE/UKCA/CERTIFIRE	
ZFBAP01-S-PSS / R-PSS	Mortice London Fire Brigade Lock (Key Profile 01), Square or Radius Forend and Strike, c/w Escutcheons	Polished Stainless Steel
ZFBAP01-S-PVDPB / R-PVDPB	Mortice London Fire Brigade Lock (Key Profile 01), Square or Radius Forend and Strike, c/w Escutcheons	Polished Brass
ZFBAP01-S-PVDBLK / R-PVDBLK	Mortice London Fire Brigade Lock (Key Profile 01), Square or Radius Forend and Strike, c/w Escutcheons	PVD Black
ZFBAP01-S-PVDSB / R-PVDSB	Mortice London Fire Brigade Lock (Key Profile 01), Square or Radius Forend and Strike, c/w Escutcheons	PVD Satin Brass
ZFBAP01-S-BZ / R-BZ	Mortice London Fire Brigade Lock (Key Profile 01), Square or Radius Forend and Strike, c/w Escutcheons	Bronze
ZFB01K	Spare Key t/s London Fire Brigade Lock (Key Profile 01)	Nickel Plate
ZFB001-SSS	Escutcheon Pack t/s ZFB01/ZFB02 Series Fire Brigade Lock	Satin Stainless Steel
 <p><b>For more information please contact us today:</b>  ERA Home Security T/A Zoo Hardware,  Unit B, Dukes Drive, Kingmoor Park North,  Carlisle, Cumbria CA6 4SH  <b>Call: 01228 672900</b>  <b>Fax: 01228 672928</b>  <b>Email: sales@zoo-hardware.co.uk</b>  <b>Web: www.zoohardware.co.uk</b></p>		 <p>FM 668401 EMS 668402</p>