

ZFB Series

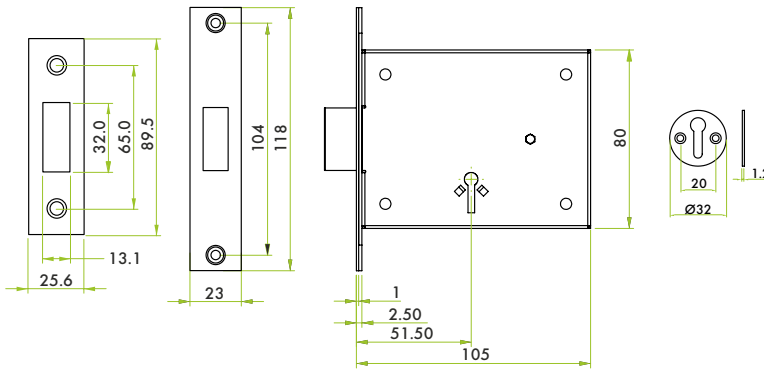
Fire Brigade Lock (ZFB02)



ZFBAP02-PSS ZFBAP02-PVDPB ZFBAP02-PVDBLK ZFBAP02-BZ ZFBAP02-PVDSB



ZFB02-S-SSS*



PRODUCT FEATURES

- 51.5mm backset
- Double forend (Steel inner, Stainless Steel outer forend)
- Supplied with lever key profile escutcheons
- **Performance Testing:** Successfully tested in accordance with the requirements of BS EN12209: 2003

Classification:

3	H	8	1*	O	G	-	K	D	O	O
---	---	---	----	---	---	---	---	---	---	---

FIRE TESTING

- Successfully fire tested in accordance with the requirements of BS EN1634-1, suitable for use on 30 and 60 minute timber fire doors

CERTIFICATION

- UKCA marked (Certificate AG8076)
- CE marked (Certificate AG8079)
- CERTIFIRE approved (Certificate CF877)



FOREND OPTIONS

- Square
- Radius

FINISHES

- Satin Stainless Steel (SSS)
- Polished Satin Stainless (PSS)
- Polished Brass (PVDPB)
- PVD Black (PVDBLK)
- PVD Satin Brass (PVDSB)
- Bronze (BZ)

*The ZFB02-S-SSS / R-SSS comes with SSS Forend, Strike, and Escutcheons

CODE	DESCRIPTION	FINISH
ZFB02-S-SSS / R-SSS*	Mortice London Fire Brigade Lock (Key Profile 02), Square or Radius Forend and Strike, c/w Escutcheons	Satin Stainless Steel
ZFB02-CO	Mortice London Fire Brigade Lock (Key Profile 02) Case Only, CE/UKCA/CERTIFIRE	
ZFBAP02-S-PSS / R-PSS	Square Forend, Strike and Escutcheon Pack t/s ZFB02 Fire Brigade Lock, Square or Radius	Polished Satin Stainless
ZFBAP02-S-PVDPB / R-PVDPB	Square Forend, Strike and Escutcheon Pack t/s ZFB02 Fire Brigade Lock, Square or Radius	Polished Brass
ZFBAP02-S-PVDBLK / R-PVDBLK	Square Forend, Strike and Escutcheon Pack t/s ZFB02 Fire Brigade Lock, Square or Radius	PVD Black
ZFBAP02-S-PVDSB / R-PVDSB	Square Forend, Strike and Escutcheon Pack t/s ZFB02 Fire Brigade Lock, Square or Radius	PVD Satin Brass
ZFBAP02-S-BZ / R-BZ	Square Forend, Strike and Escutcheon Pack t/s ZFB02 Fire Brigade Lock, Square or Radius	Bronze
ZFB02K	Spare Key t/s London Fire Brigade Lock (Key Profile 02)	Nickel Plate
ZFB001-SSS	Escutcheon Pack t/s ZFB01/ZFB02 Series Fire Brigade Lock	Satin Stainless Steel
 <p>For more information please contact us today: ERA Home Security T/A Zoo Hardware, Unit B, Dukes Drive, Kingmoor Park North, Carlisle, Cumbria CA6 4SH Call: 01228 672900 Fax: 01228 672928 Email: sales@zoo-hardware.co.uk Web: www.zoohardware.co.uk</p>		 <p>FM 668401 EMS 668402</p>