

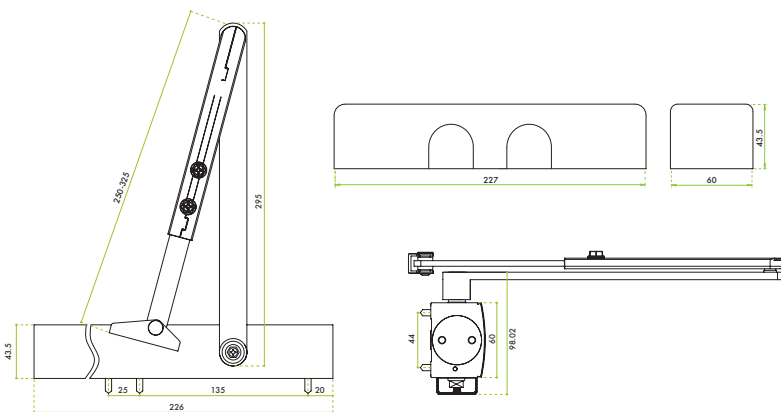
VDC0025 Series

Overhead Door Closer



VDC0025SS

VDC0025PVDG



PRODUCT FEATURES

- **Power size:** Power adjustable 2-5, by spring
- **Body material:** Aluminium
- **Arm set type / material:** Scissor / Steel
- **Tested functions:** Closing speed, latching speed
- **Non-tested functions:** Backcheck, Delayed action
NOTE: Not for use on fire doors
- **Maximum door weight:** 100kgs (door mount pull, frame mount push), 80kgs (door mount push)
- **Maximum door width:** 1250mm (door mount pull, frame mount push), 1100mm (door mount push)
- **Performance Testing:** Successfully tested in accordance with the requirements of BS EN1154: 1997

Classification: Door mount pull and transom mount push side (Fig 1, Fig 6)

3	8	$\frac{5}{2}$	1	1	3
---	---	---------------	---	---	---

Classification: Door mount push side (Fig 6)

3	8	$\frac{4}{2}$	1	1	3
---	---	---------------	---	---	---

FIRE TESTING

- Successfully fire tested in accordance with the requirements of BS EN1634-1, suitable for use on 120 minute timber fire doors

CERTIFICATION

- UKCA marked (Certificate AD7718)
- CE marked (Certificate AD7952)
- CERTIFIRE approved (Certificate CF5549)



1121-CPR-UK-AD7718



2812-CPR-AD7952



APPROVED
CF 5549

COVER OPTIONS

- Semi-radiused

FINISHES

- Silver (SE)
- Satin Stainless Steel (SS)
- PVD Gold (PVDG)

*Other finishes available on request

CODE	DESCRIPTION	FINISH
VDC0025NC	Overhead Door Closer, Power Adjustable 2-5, C/W Matching Arm and Fig 6 Bracket, No Cover	Silver Effect
VDC0025SS	Overhead Door Closer, Power Adjustable 2-5, (SS304 Cover) C/W Matching Arm, Semi-Radiused cover and Fig 6 Bracket	Satin Stainless Steel
VDC0025PVDG	Overhead Door Closer, Power Adjustable 2-5, C/W Matching Arm, Semi-Radiused cover and Fig 6 Bracket	PVD Gold
VDC0025S	Overhead Door Closer, Power Adjustable 2-5, C/W Matching Arm, Semi-Radiused cover and Fig 6 Bracket	Silver
	<p>For more information please contact us today: ERA Home Security T/A Zoo Hardware, Unit B, Dukes Drive, Kingmoor Park North, Carlisle, Cumbria CA6 4SH</p> <p>Call: 01228 672900 Fax: 01228 672928 Email: sales@zoo-hardware.co.uk Web: www.zoohardware.co.uk</p>	 <p>FM 668401 EMS 668402</p>