

ZS-AL010-010 Series

Anti-ligature Knob on Rose Set



ZS-AL010-010

TECHNICAL SPECIFICATION

PRODUCT FEATURES

- **Diameter:** 63.5mm
- **Projection:** 52.5mm
- **Centres:** 38mm
- **Material:** Grade 304 Stainless Steel
- Knob on rose set
- Security bolt fixings supplied
- **Featuring:**
 - 1x knob with fixed spindle and rose with threaded lugs for the controlled / service user side (INT)
 - 1x Torx grub screw fixed knob and countersunk rose for the uncontrolled /staff side (EXT)

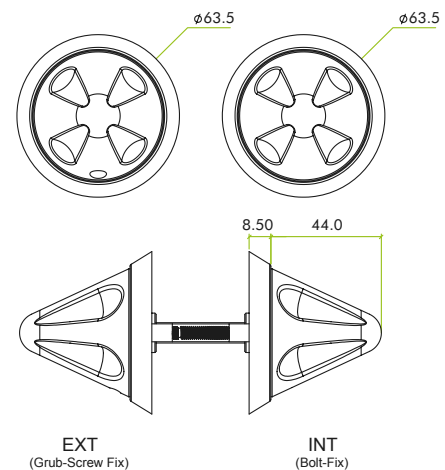
FIRE TESTING

- Successfully fire tested in accordance with the requirements of BS EN 1634-1, suitable for use on timber fire doors upto 30 and 60 minutes

ANTI-LIGATURE TESTING

- Independently tested in accordance with DHF Technical Specification TS001:2013 Enhanced Requirements & Test Methods for Anti-Ligature Hardware and passed with the highest rating: A4 - 0.5mm ligature

TECHNICAL



IMPORTANT NOTICE:

Due to the nature of the design of Anti-Ligature products to pass TS001 testing, they offer limited dexterity within use. Always ensure to use locks and latches with lightweight springing on the latch and deadbolt followers to ensure ease of operation.

It is key to ensure accurate installation to prevent any binding issues and ensure locks and latches operate freely. Always test for freedom of operation after installation and adjust as necessary.

CODE	DESCRIPTION	FINISH
ZS-AL010-010-SSS	Anti-ligature knob on rose (int. & ext. set)	Satin Stainless
	<p>For more information please contact us today: ERA Home Security T/A Zoo Hardware, Unit B, Dukes Drive, Kingmoor Park North, Carlisle, Cumbria CA6 4SH</p> <p>Call: 01228 672900 Fax: 01228 672928 Email: sales@zoo-hardware.co.uk Web: www.zoohardware.co.uk</p>	 <p>FM 668401 EMS 668402</p>